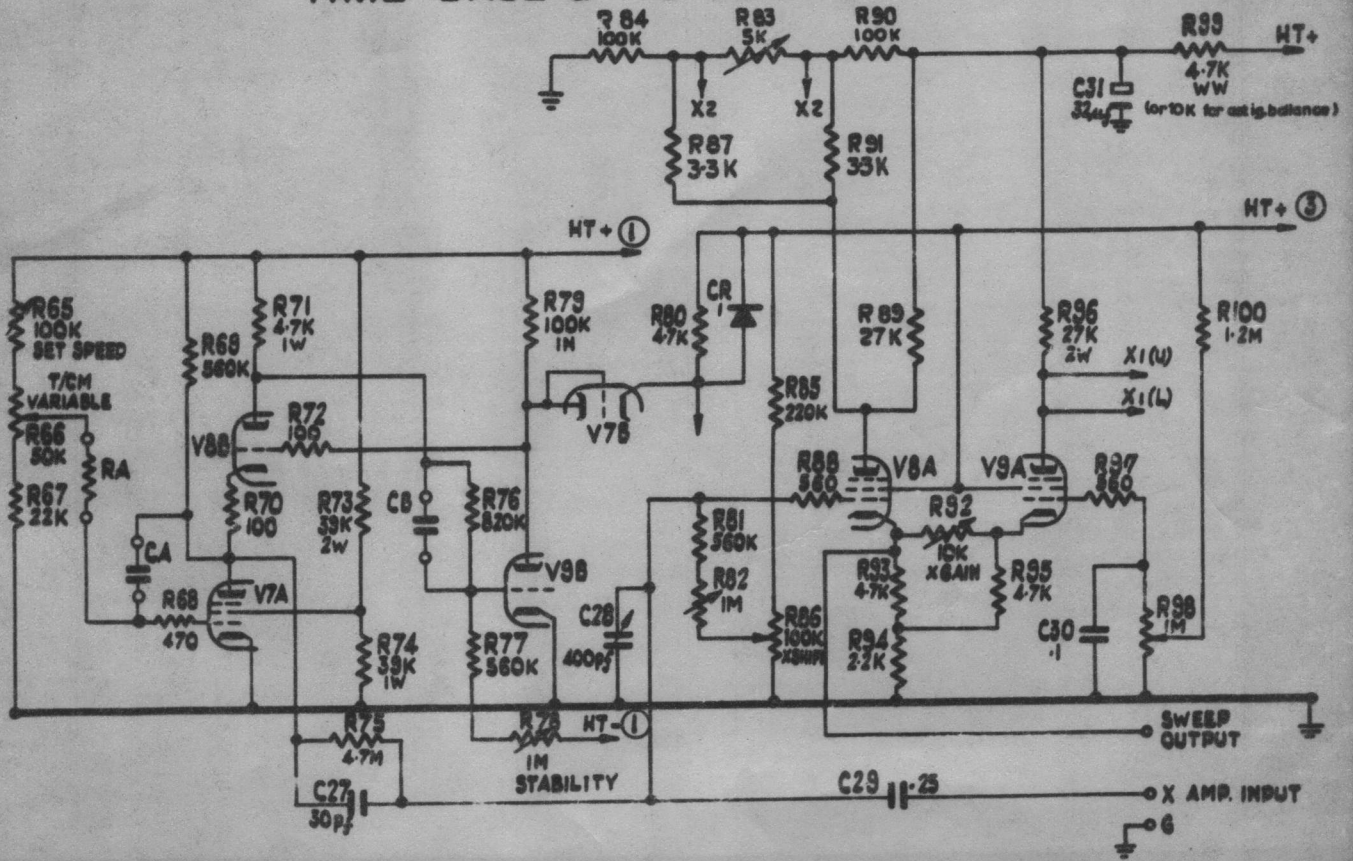


TIME BASE & HORIZ AMP



INPUT ATTENUATORS

IDENTICAL FOR UPPER & LOWER TRACES

